



LIFTOMATIC MATERIAL HANDLING, INC.

700 Dartmouth Lane
Buffalo Grove, IL 60089

Phone 847.325.2930
Fax 847.325.2959
Toll Free 800.837.6540
info@liftomatic.com

ASSEMBLY / OPERATING / MAINTENANCE INSTRUCTIONS
LIFTOMATIC MODEL BHDL & BHDL-1

ASSEMBLY:

- 1) Align free arm (#1) and hanger arm (#2) as shown on parts diagram.
- 2) Insert pivot pin (#5) into aligned guide holes taking care to position washers (#4) as shown.
- 3) Secure pivot pin with 3/16" cotter pin provided.
- 4) Attach spring (#6) to eyelet of both arms as shown.

OPERATION:

CAUTION When handling removable lid or "open top" drums over 750#, the tops of the drums should be securely in place before lifting so the drum's sidewall will not collapse during lifting cycle.**

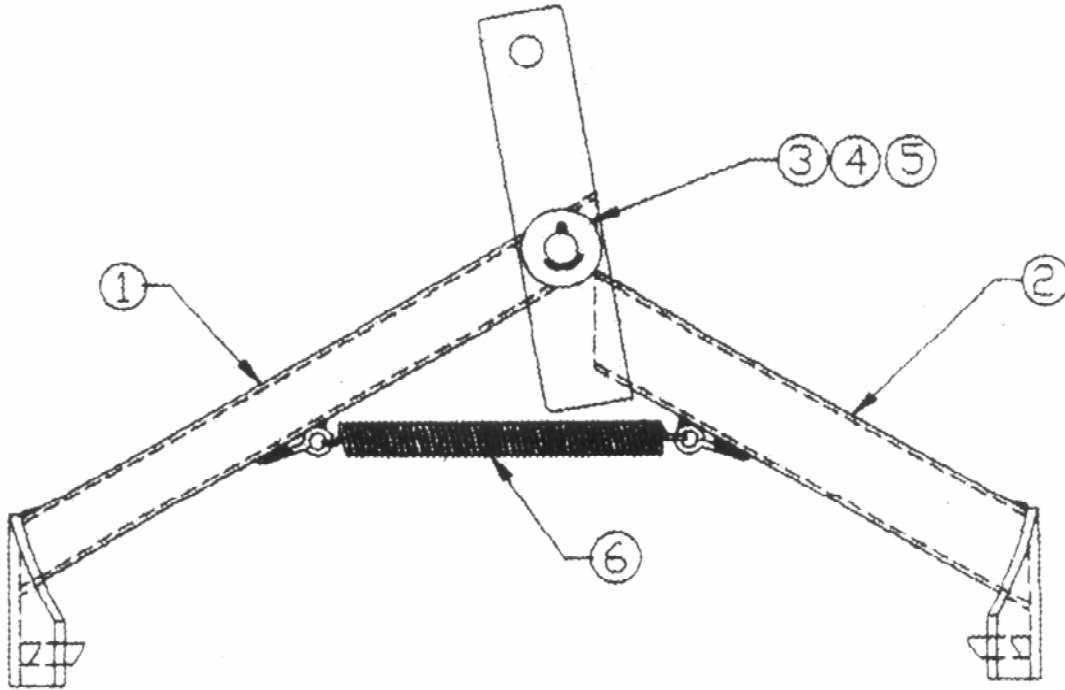
- 1) Remove all wrapping and packing materials from the unit.
- 2) Visually inspect unit to see that no damage has occurred in shipping.
- 3) See that both arms of the unit move freely on center axis pin.
- 4) Attach BHDL to suitable overhead lifting device, using locking style safety hook.
- 5) To engage the drum, spread both arms of the BHDL over the center of the top of the drum.
- 6) Begin lifting unit slowly and as the arms of the BHDL close, ensure that the lifting pads engage easily and securely under the top chime of the drum and roughly on a centerline of the drum being engaged.
- 7) Once drum is engaged, move and lift slowly until drum is moved to desired position.
- 8) To disengage drum, simply reverse procedure. ****NOTE**:** TAKE EXTREME CARE WHEN LOWERING DRUM TO RESTING POSITION TO ENSURE THAT ALL EXTREMITIES ARE OUT OF HARMS WAY WHEN DRUM IS SET ON FLOOR, PALLET, ETC..

MAINTENANCE:

Periodically check unit for any abnormal wear of moving parts and to ensure that all fasteners and hardware are in proper position. See that moving axis pivot pin (#5) is lubricated monthly and moves freely.

LIFTOMATIC PART LIST

Model: BHDL



Item	Part No.	Description	Quantity
1	2170	FREE ARM	1
2	2171	HANGER ARM	1
3	16052	PIVOT PIN	1
4	6071	WASHER	1
5	6054	COTTER PIN	1
6	6023	TENSION SPRING	1

LIFTOMATIC MATERIAL HANDLING, INC.
 TEL: (847) 325 2930 FAX: (847) 325 2959