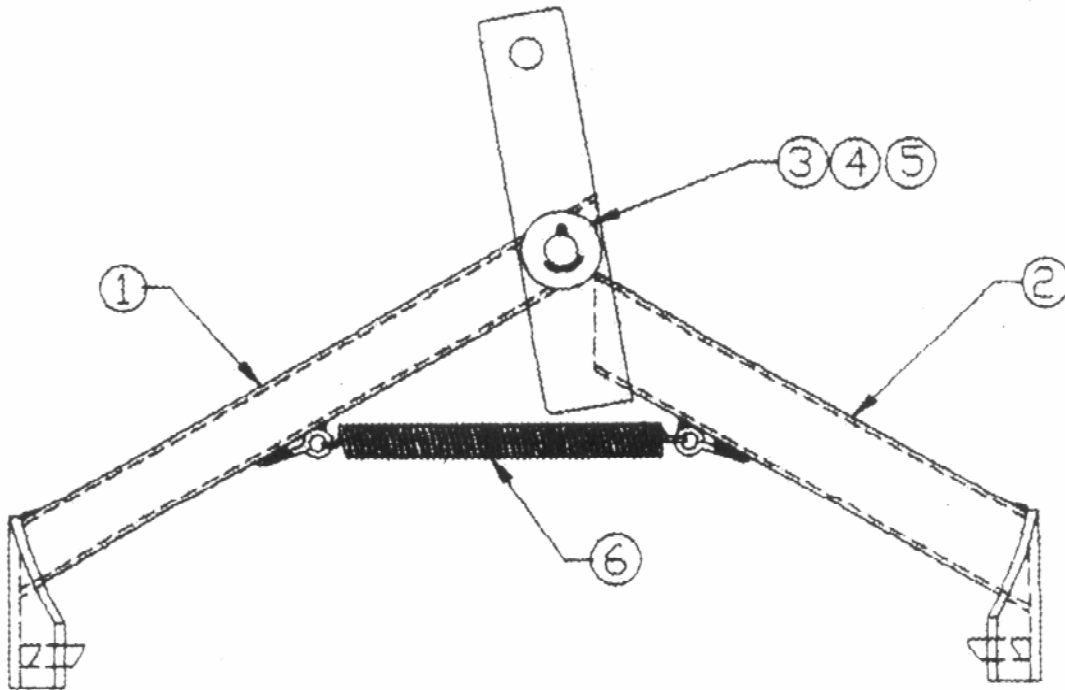


LIFTOMATIC PART LIST

Model: BHDL



Item	Part No.	Description	Quantity
1	2170	FREE ARM	1
2	2171	HANGER ARM	1
3	16052	PIVOT PIN	1
4	6071	WASHER	1
5	6054	COTTER PIN	1
6	6023	TENSION SPRING	1

LIFTOMATIC MATERIAL HANDLING, INC.
 TEL: (847) 325 2930 FAX: (847) 325 2959