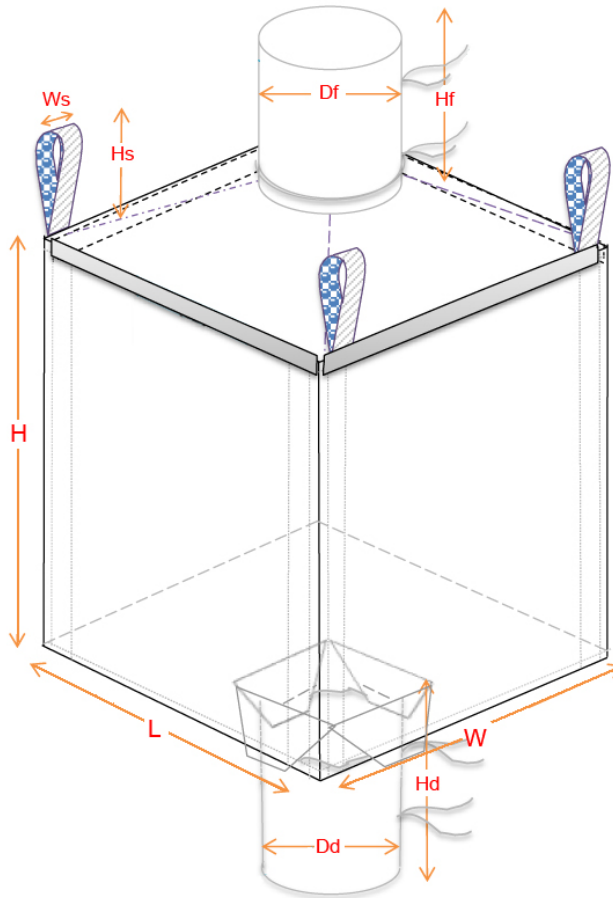


Bulk Bag Lifter Questionnaire



Bulk Bag Capacity P = _____ lbs.
 Bulk Bag Length L = _____ inch
 Bulk Bag Width W = _____ inch
 Bulk Bag Height H = _____ inch
 Lifting Strap Length Hs = _____ inch
 Lifting Strap Width Ws = _____ inch

Handling Method

Forklift [] Hoist [] Other []