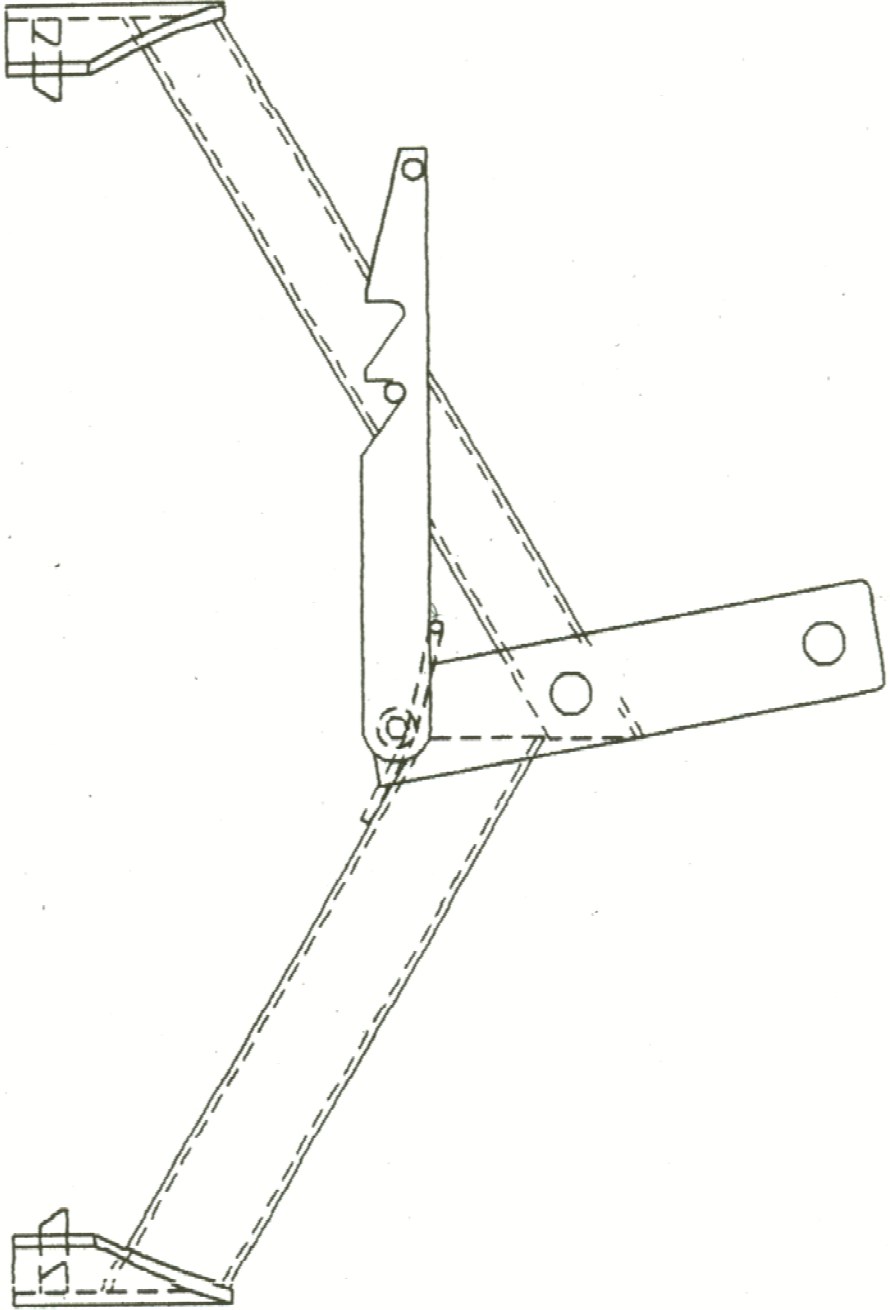


ZONE	REV	DESCRIPTION	DATE	APPROVED



DIMENSIONS ARE IN INCHES
 DO NOT SCALE DRAWING
 USE OF PROPRIETARY INFORMATION
 LIMITED TO WRITTEN AGREEMENT
 WITH LIFTOMATIC MTL. HDL., INC.

DRAWN _____ DATE _____

CHECKED _____

DESIGN _____



LIFTOMATIC™ LIFTONATIC MATERIAL HANDLING, INC.
 700 DARTMOUTH LN. BUFFALO GROVE, IL 60089

BHDL-SL

SIZE	FILE	DWG NO.	REV
A			
SCALE		SHEET	OF