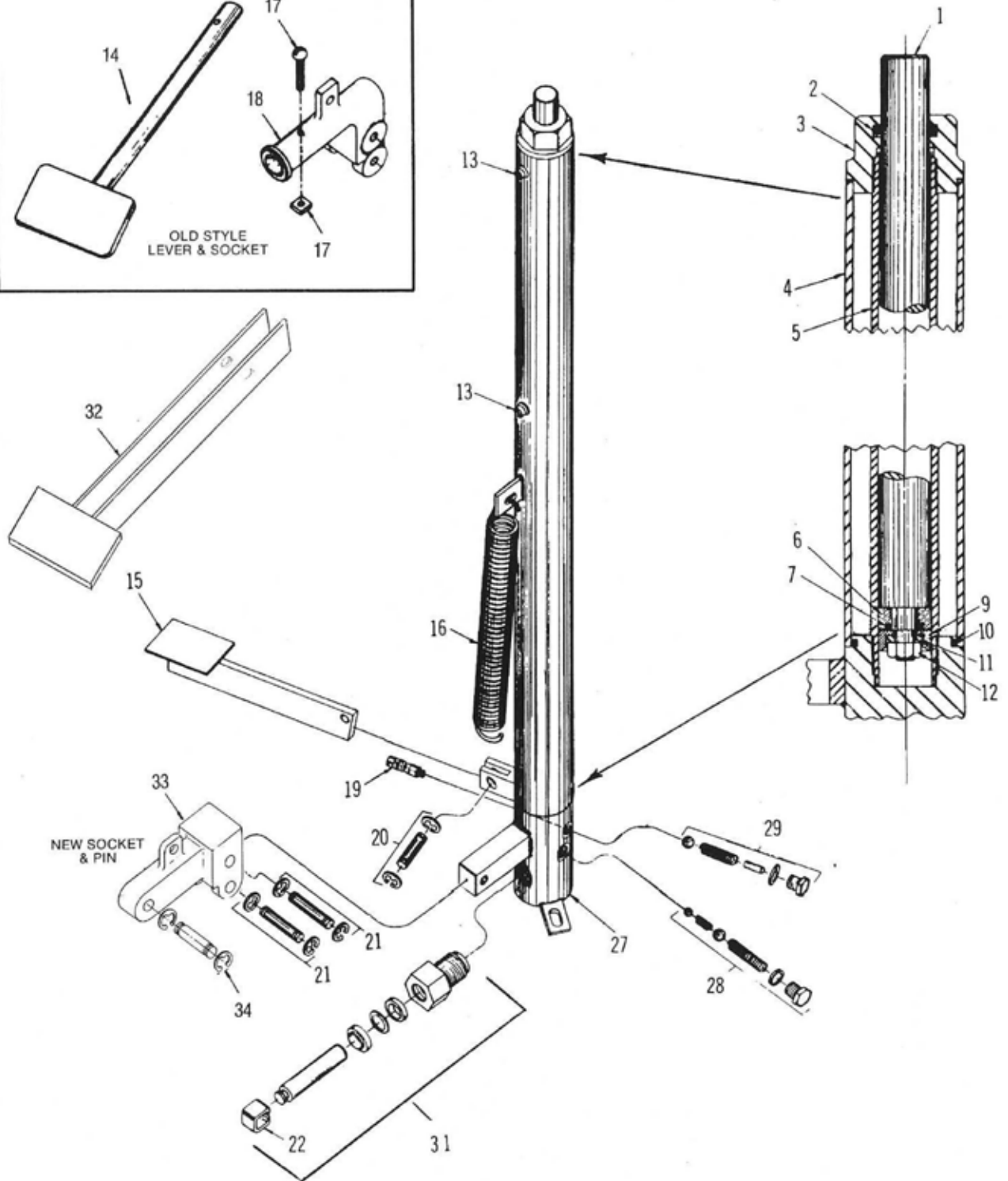
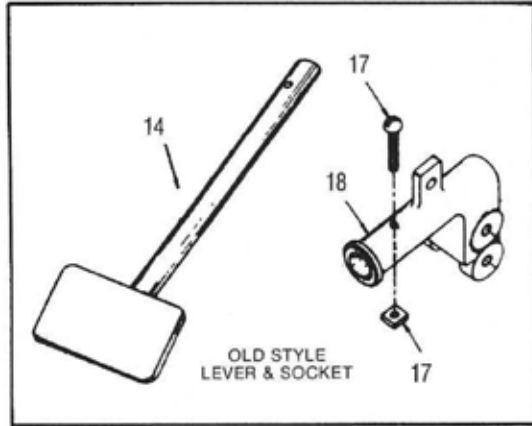


LIFTOMATIC HYDRAULIC CYLINDER

PART NUMBER: 6270





Liftomatic Material Handling, Inc.

700 Dartmouth Lane
Buffalo Grove, IL 60089

Phone 847 325-2930
Fax 847 325-2959
Toll Free 800 837-6540

LIFTOMATIC HYDRAULIC CYLINDER PARTS LIST

Item No.	Part Number	Description
1	HF500-6	Ram (Hard Chrome Plate)
2	HF500-4	Top Nut "O" Ring
3	HF500-3	Top Nut
5	HF500-2	Reservoir Tube
5	HF500-5	Inside Cylinder Tube
6	HF500-8	Ram Cup Support Washer
7	HF500-8A	Ram Cup "O" Ring (Obsolete) Turn Piston Over
9	HF500-7	Ram Cup
10	HF500-32	Body "O" Ring (2 Required)
11	QH525-13	Ram Cup Washer
12	HF500-13	Ram Cup Nut
13	HF500-30	Filler Screw and Washer (2 Required)
15	HF500-23RP	Foot Release Lever Assembly
16	6024	Piston Lever Return Spring
19 (K)	HF500-15RP	Release Plunger (Includes Seals)
20	HF500-24RP	Release Lever Pin (Includes Retaining Rings)
21	HF500-25RP	Lever Socket Pin (2 Required)(Includes Retaining Rings)
22	HF500-29	Pump Piston Clip
28 (K)	HF500-51RP	Pump Valve (Complete)
29 (K)	HF500-50RP	Release Valve (Complete)
30	5071	Hydraulic Repair Kit (All Items With K Notation)
31 (K)	HF500-54RP	Pump Piston Assembly (Ready to Install) (Includes Item #22)
32	HF500-44	Lever Arm (New Style)
33	HF500-43	Socket (New Style)
34	HF500-42RP	Lever Arm Pin (Includes Retaining Rings) (New Style)